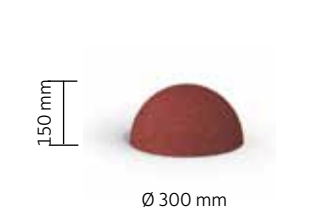
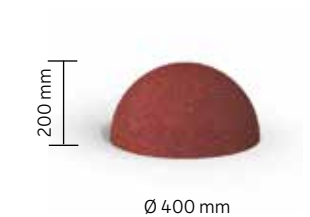
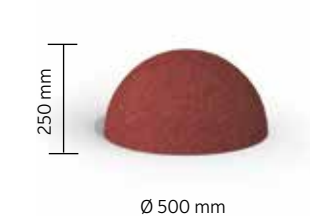




Terrasoft® Half globe



Even as a half globe, the design feature is an absolute eye-catcher! The Terrasoft half globes made of pure rubber granulate in three high-quality colours impressively set the stage for design, and make a great addition to the Terrasoft globes. The half globes with their soft surface can be used as seating or a balancing course. The elements are extremely stable and durable. For an additional charge, the surface is also available with an EPDM coating.

ADVANTAGES

- low maintenance, robust
- extraordinary design feature
- Play element

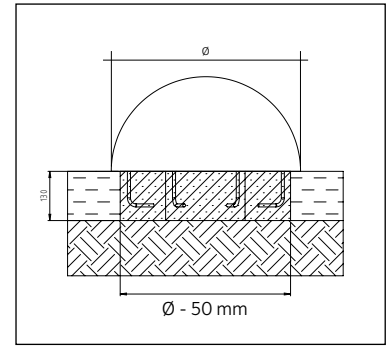
APPLICATION

Half globes with ground anchors can be concreted into a prepared foundation with the help of the ground anchors and thus are permanently fixed.



with Floor anchor
Item no. 2565000109

- Terrasoft® Half globe (L x W x H) Ø 750x375 mm | SBR rubber granulate | Item no.: 353375xx2
- Terrasoft® Half globe (L x W x H) Ø 500x250 mm | SBR rubber granulate | Item no.: 353350xx2
- Terrasoft® Half globe (L x W x H) Ø 400x200 mm | SBR rubber granulate | Item no.: 353340xx2
- Terrasoft® Half globe (L x W x H) Ø 300x150 mm | SBR rubber granulate | Item no.: 353330xx2



Side view with dimension details „globe“ half globe. The foundation has to be 5 cm smaller than the diameter of the half globe

INSTALLATION INSTRUCTIONS

Half globe with floor anchor:

The half globes can be embedded with the floor anchors into the prepared concrete foundations to fix them permanently. Take care that the ball is fully supported on a firm surface.

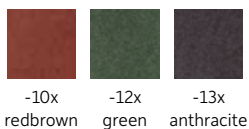
INSTALLATION INSTRUCTIONS

Select the location. Carry out excavation work for the foundation. The foundation has to be 5 cm smaller than the diameter of the half globe.

Set up the concrete foundation acc. to the dimensions indicated with central, horizontal reinforcement (BST 500 S) in the quality class C 20/25. Put the half globe into the foundation. The half globe has to lay on the play level.

Do not allow children to use the equipment during the setting period of 8 – 10 days (depending on weather conditions and foundation size).

Colours



Specifications

